

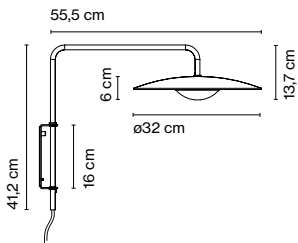
Ginger

Joan Gaspar

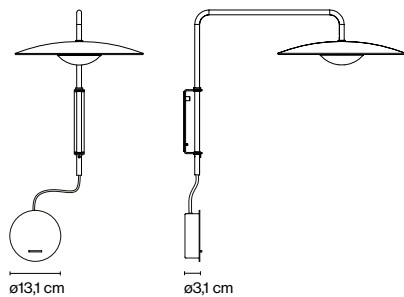
marset



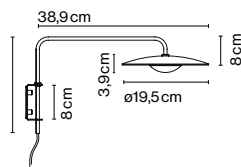
Ginger A (Plug-in)



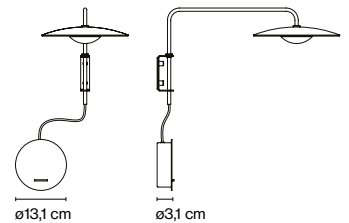
Ginger A (Hardwired)



Ginger 20 A (Plug-in)



Ginger 20 A (Hardwired)



Ginger A

Light Source:
LED SMD 700mA 8,2W
2700K CRI90 913lm
Luminaire:
220 - 240 VAC TRIAC 9,89W
350lm

Ginger 20 A

Light Source:
LED SMD 350mA 4,05W
2700K CRI90 463lm
Luminaire:
85 - 264 VAC 5,7W 161lm

LED included

- Oak
- Wenge

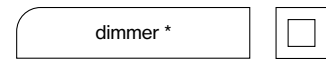
Black electrical cord

Connections available: plug-in, hardwired or recessed

* Plug-in wall fixtures: inline motion sensor dimmer
** Hardwired: Canopy with switch on/off

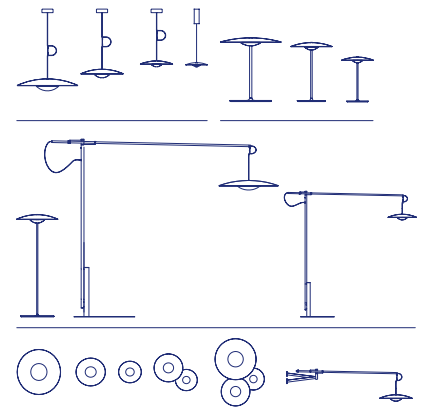
Watch the video
info@marset.com
www.marset.com

Pressed wood diffuser of 4 mm in natural oak or wenge. Injected aluminium dissipater and metal structure in lacquered black matte.



- [Download](#) Assembly Instructions
- [Download](#) Photometric Data
- [Download](#) 2D
- [Download](#) 3D

Range



This wall version adds a simple folding structure to the lampshade, turning it into the perfect lamp for the head of a bed, to illuminate a reading corner or even to be used as an occasional lamp over a table.

How Ginger illuminates

Ginger 20 A

Ginger A

